



COMPANY PRESENTATION





About Yumak

Stepping into the sector in 1978, Yumak continues its story by growing every year with its technology, quality and R&D projects.



ABOUT YUMAK



42,000 m² Open Area
32.000 m² Closed Factory
Compound



More than 3,000 Assembled,
200,000 Product Range



664 Employees



Tier-2 Re-man Spare Parts Supplier for
OEM Designer Partners.



Direct Export to 95 Countries



World Brand in Compressed Air Systems



Turkey's Leading Heavy Commercial
Vehicle Air Brake System Products
Manufacturer



Robotic Cell Type Production Line

OUR VISION & MISSION

Our Vision



To be the world's best, most successful and most respected manufacturer of air brake system products by closely following technological developments, continuously improving ourselves and our product quality, producing its products with a qualified staff with the principles of efficiency, quality, customer satisfaction and continuous development, making all its partners happy, trusting its power, making a difference.

Our Mission



In addition to domestic, international, OEM and after market sales, in order to ensure continuous customer satisfaction, technical background and after sales service understanding, keeping the market and products under control with the understanding of market and after sales service, focusing on continuous development, experienced, conscious, educated, professional team specialized in their fields, to be an exemplary company in the sector and a leading company in the world.

OUR CORE VALUES



**Corporate
Belonging**



**Quality
Orientation**



**Innovation and
Entrepreneurship**



**Respect and Sensitivity
to Environment**



Honesty



**Customer
Sensitivity**



**Respect for People
and Ideas**



**Team Spirit and
Solidarity**

OUR HISTORY



ESTABLISHMENT

Production was started by Mehmet Yumak in a 100 m² workshop



1978



1994



TITLE CHANGE

The company name has been changed to Yumak Automotive Limited Company



PRESS SHOP

New investments. Press shop installed.

1999



2001



ALUMINIUM

New investments. Aluminum foundry installed.



2002



FIRST EXPORT

First Export to Dubai



2008



KONSAN

We moved to 5000 m² new factory area



OUR HISTORY



CRANK

New investments.
Grinding machine acquired



YUMAK INNOVATION
was established.



TOTAL PRODUCTION AREA

42,000 m² open area
32,000 m² closed area
continues its production.



NUMBER OF EMPLOYEES

664 Employee
45 engineers specialized in their field



NEW INVESTMENT

87,000 m² of new factory space acquired.



2013



NEW ADDRESS

We moved to a new production base with a total production area of 10,000 m²



2015



TECHNOLOGY INVESTMENT

R&D center launched.
Production line expanded.



Number of R&D Personnel: 29
Number of Engineer Personnel: 18
Number of Technician Personnel: 11

2018

2020



2021



YUMAK ACADEMY ESTABLISHED

We transfer our knowledge and experience to the future with new world teachings.

2023



2024



PİSTON HATTI ÜRETİMİ

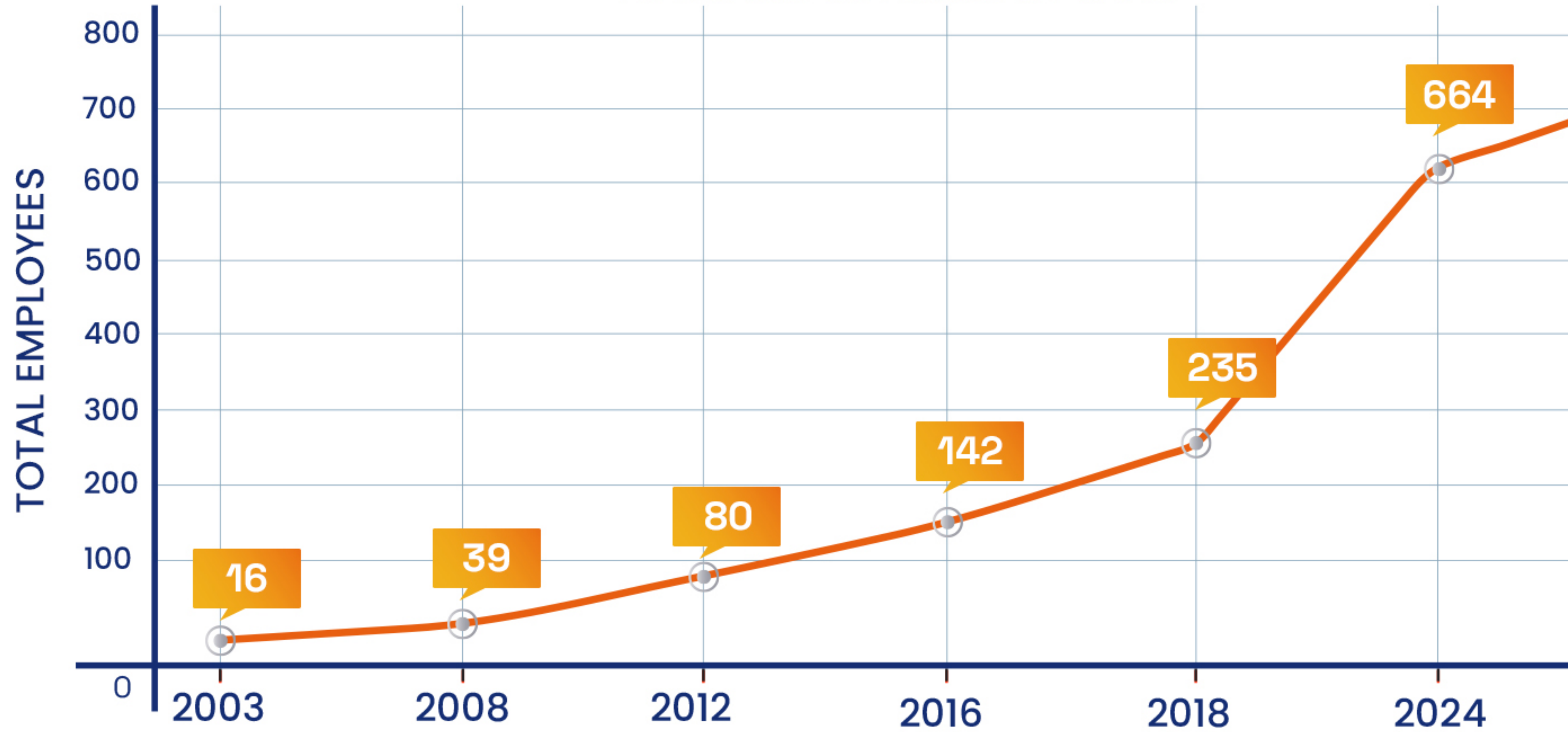
Aylık kapasite
20.000 adet



TURQUALITY support scope has been entered.

TOTAL EMPLOYMENT

TOTAL EMPLOYMENT BY YEAR



White Collar Workers

104



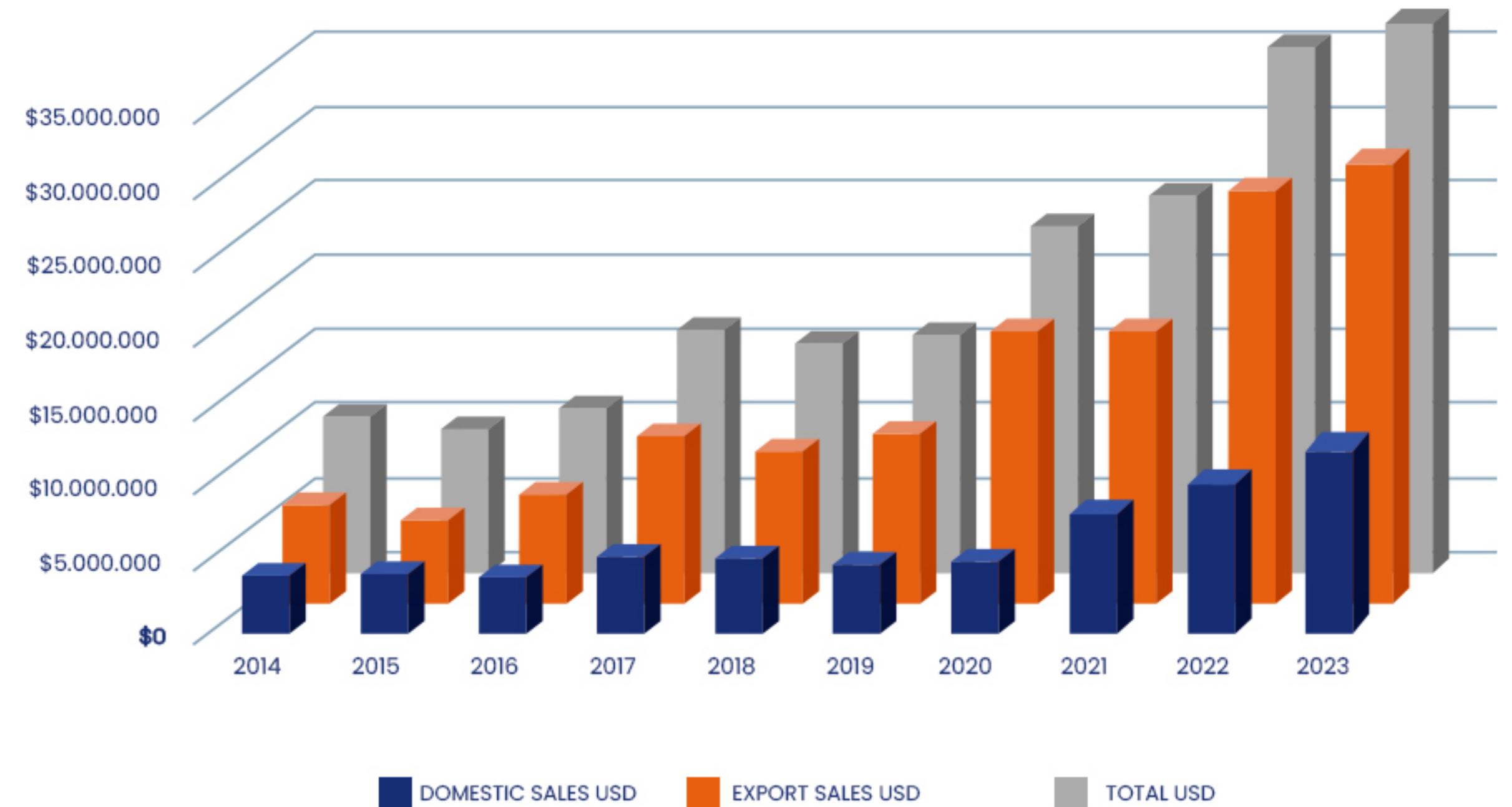
Blue Collar

560

SALES FIGURES BY YEARS

DATE	DOMESTIC SALES USD	EXPORT SALES USD	TOTAL
2014	\$3.895.175,10	\$6.599.303,71	\$10.494.478,81
2015	\$4.043.829,35	\$5.591.101,55	\$9.634.930,90
2016	\$3.860.828,10	\$7.246.877,55	\$11.107.705,65
2017	\$5.133.409,46	\$11.217.326,59	\$16.350.736,05
2018	\$5.035.608,49	\$10.310.785,49	\$15.346.393,98
2019	\$4.560.547,05	\$11.472.481,62	\$16.033.028,67
2020	\$4.838.883,89	\$18.394.096,22	\$23.232.980,11
2021	\$6.917.082,51	\$18.374.532,50	\$25.291.615,01
2022	\$8.345.447,84	\$26.377.969,31	\$34.723.417,15
2023	\$ 8.423.129,67	\$27.190.976,42	\$35.614.105,25

YUMAK AIR BRAKE SYSTEMS SALES FIGURES



WHY YUMAK

→ Fast delivery

→ The advantage of offering high quality and high efficiency products at an affordable price

→ Quick response to customer requests

→ Flexible production capability

→ Ability to test products with test equipment designed according to OEM standards.

→ All products you receive are 100% performance tested and checked by our quality control department.

→ All problems you will encounter before and after sales are solved by our expert team in a short time.

→ Every product you will buy with Yumak brand is under Yumak Otomotiv guarantee.

→ Every Yumak product you receive has been carefully examined and developed by the R&D and engineering team.



ORGANIZATION CHART



Ensuring Success with Competent Teams in Business Lines with Optimum Costs by Supporting Post-School Development

Building More Effective and Efficient Teams



Improving Employee Competencies

Increasing the Loyalty of New Generations while Making More Agile Use of Rapidly Fading Information

EUROPEAN BRANDS PRODUCED

 Mercedes-Benz	 MAN	 VOLVO	 SCANIA	 RENAULT TRUCKS	IVECO
 DEUTZ FAHR	DAF	 Ford TRUCKS	BMC	 MAGIRUS	IKARUS
 Perkins®	ISUZU	 HINO	 DAEWOO TRUCKS	 KAMAZ	 MITSUBISHI MOTORS

AMERICAN BRANDS PRODUCED



UD TRUCKS



PRODUCT RANGES AND CAPACITY



AIR BRAKE COMPRESSOR PRODUCTION CAPACITY

 **151,200**
piece

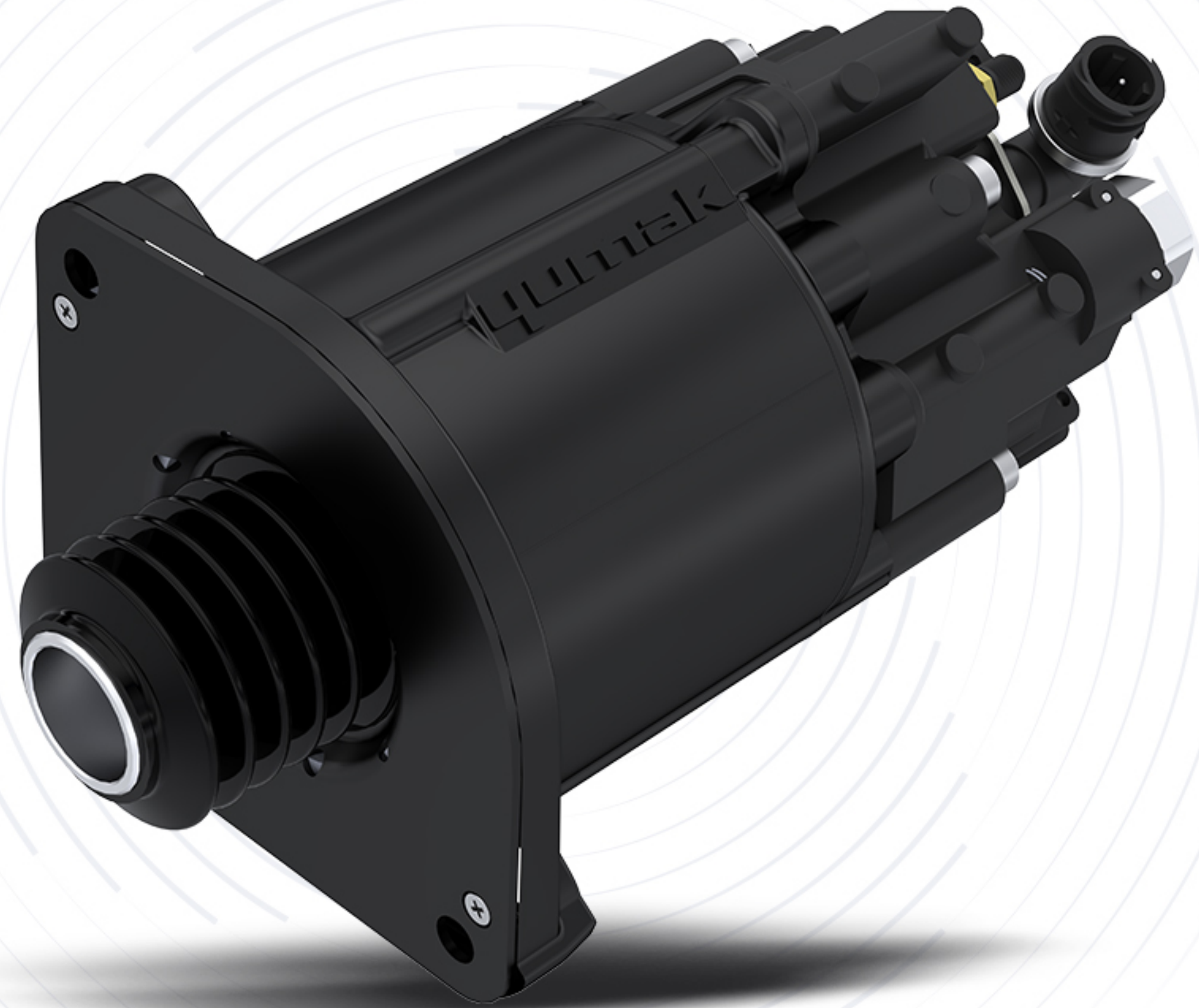
ANNUAL
PRODUCTION CAPACITY



GEAR LEVER ACTUATOR

PRODUCTION CAPACITY

 **12.000** piece
ANNUAL
PRODUCTION CAPACITY



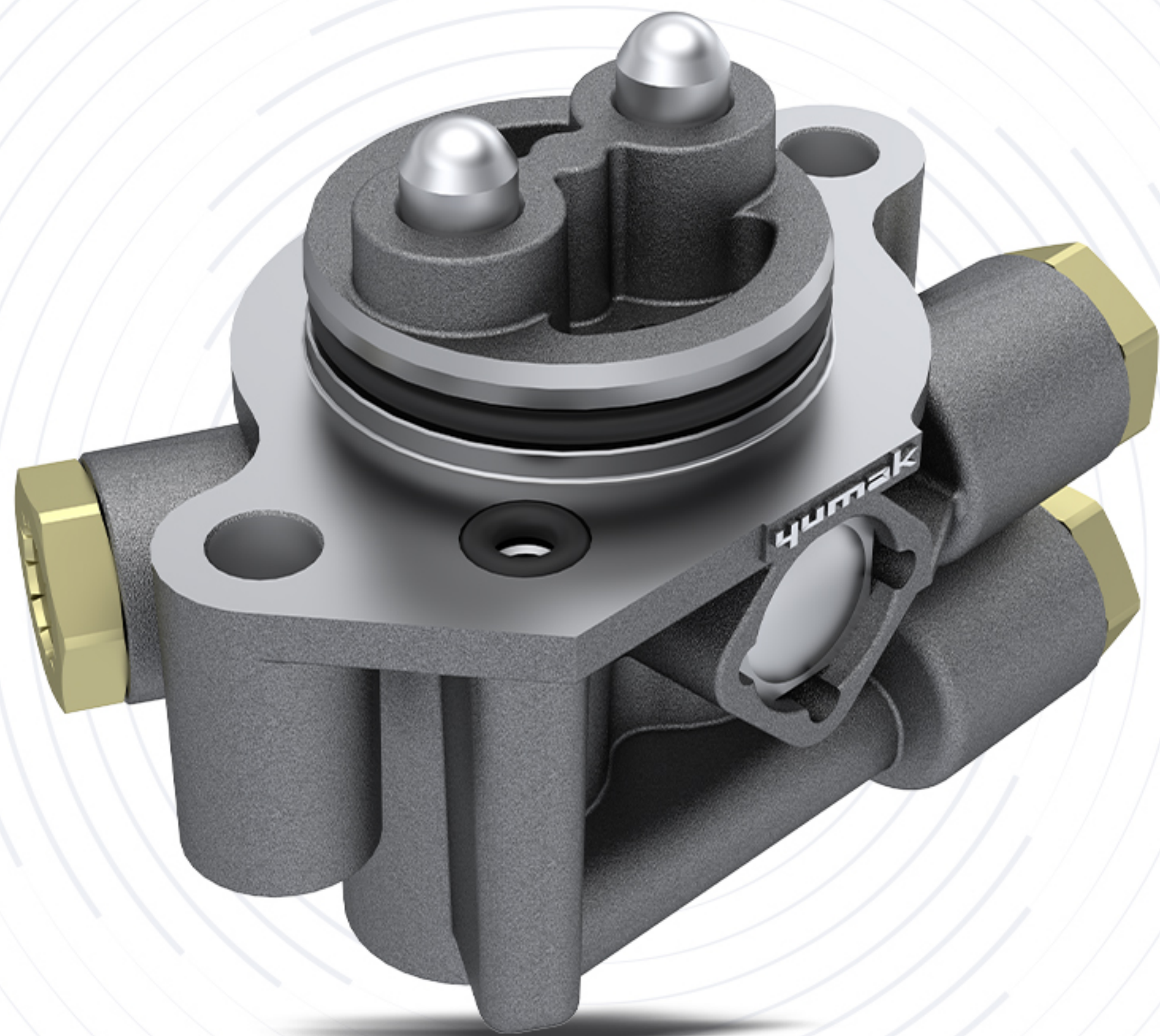
CLUTCH SERVO

PRODUCTION CAPACITY

 **18.000**
piece

ANNUAL
PRODUCTION CAPACITY

PRODUCT RANGES AND CAPACITY



CIRCUIT PROTECTION VALVE GROUP PRODUCTION CAPACITY



42.000
piece

ANNUAL
PRODUCTION CAPACITY

PRODUCT RANGES AND CAPACITY



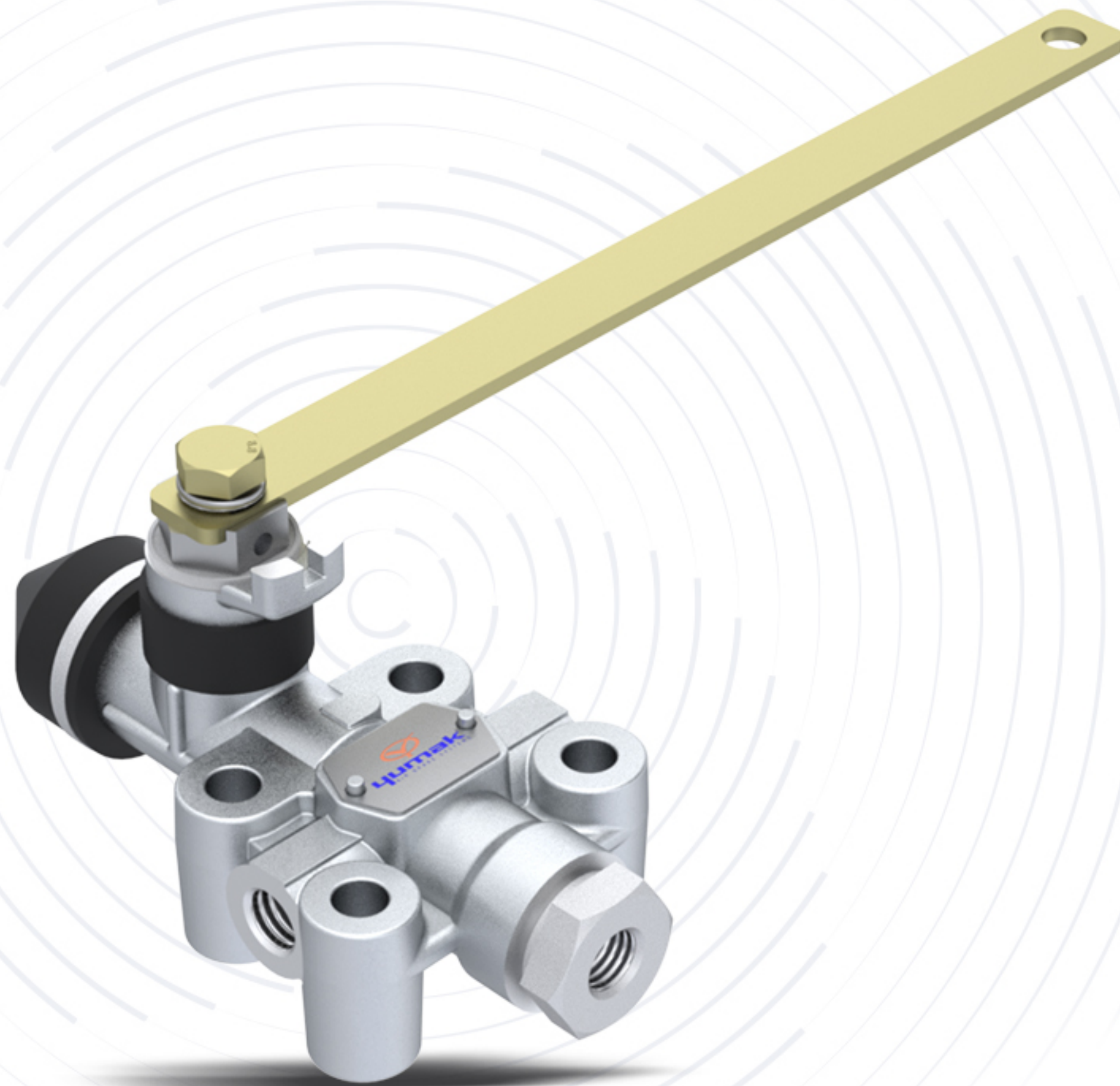
AIR DRYER PRODUCTION CAPACITY



30.000
piece

ANNUAL
PRODUCTION CAPACITY

PRODUCT RANGES AND CAPACITY



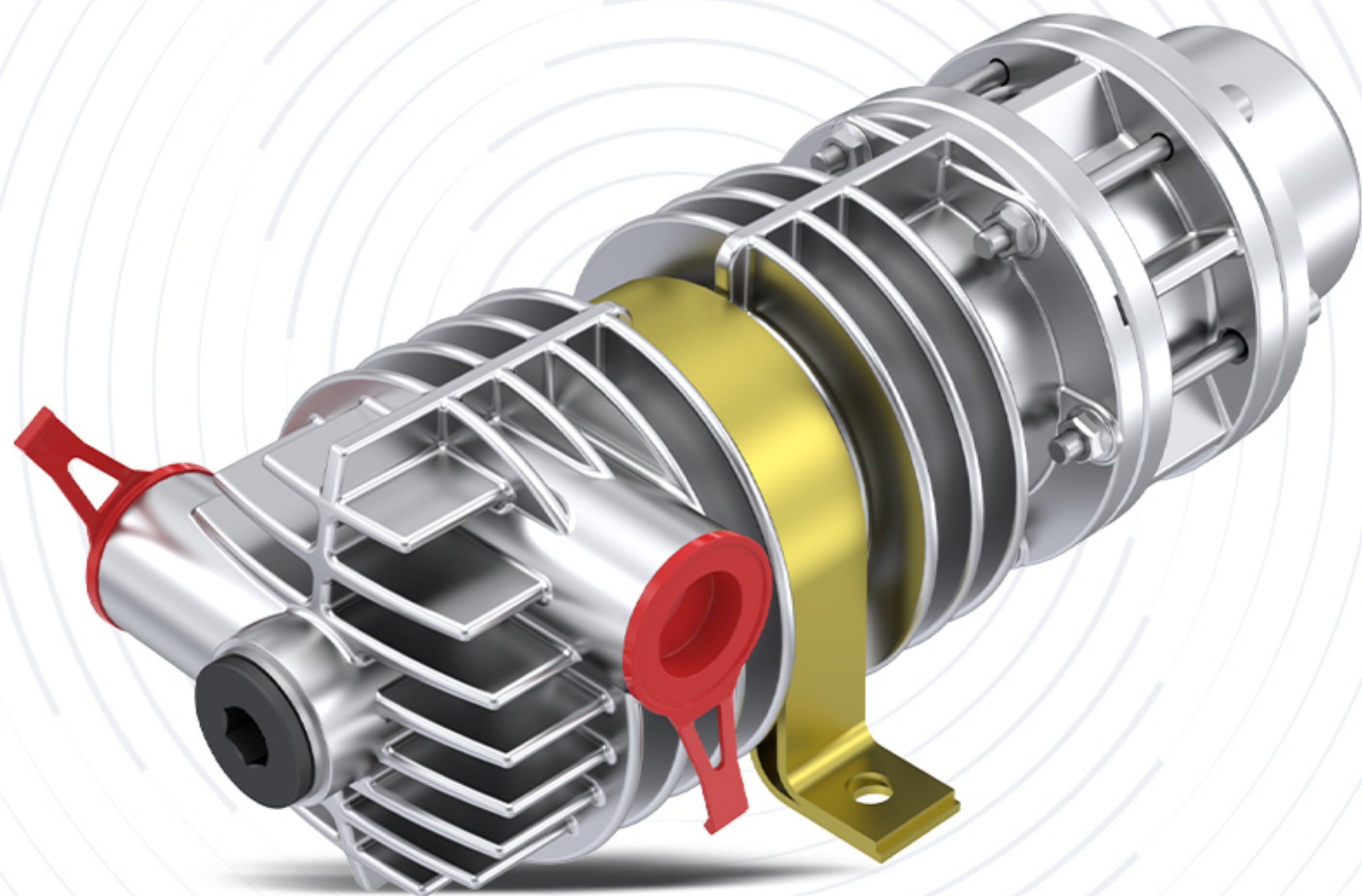
BELLOW VALVE PRODUCTION CAPACITY



45.000
piece

ANNUAL
PRODUCTION CAPACITY

PRODUCT RANGES AND CAPACITY



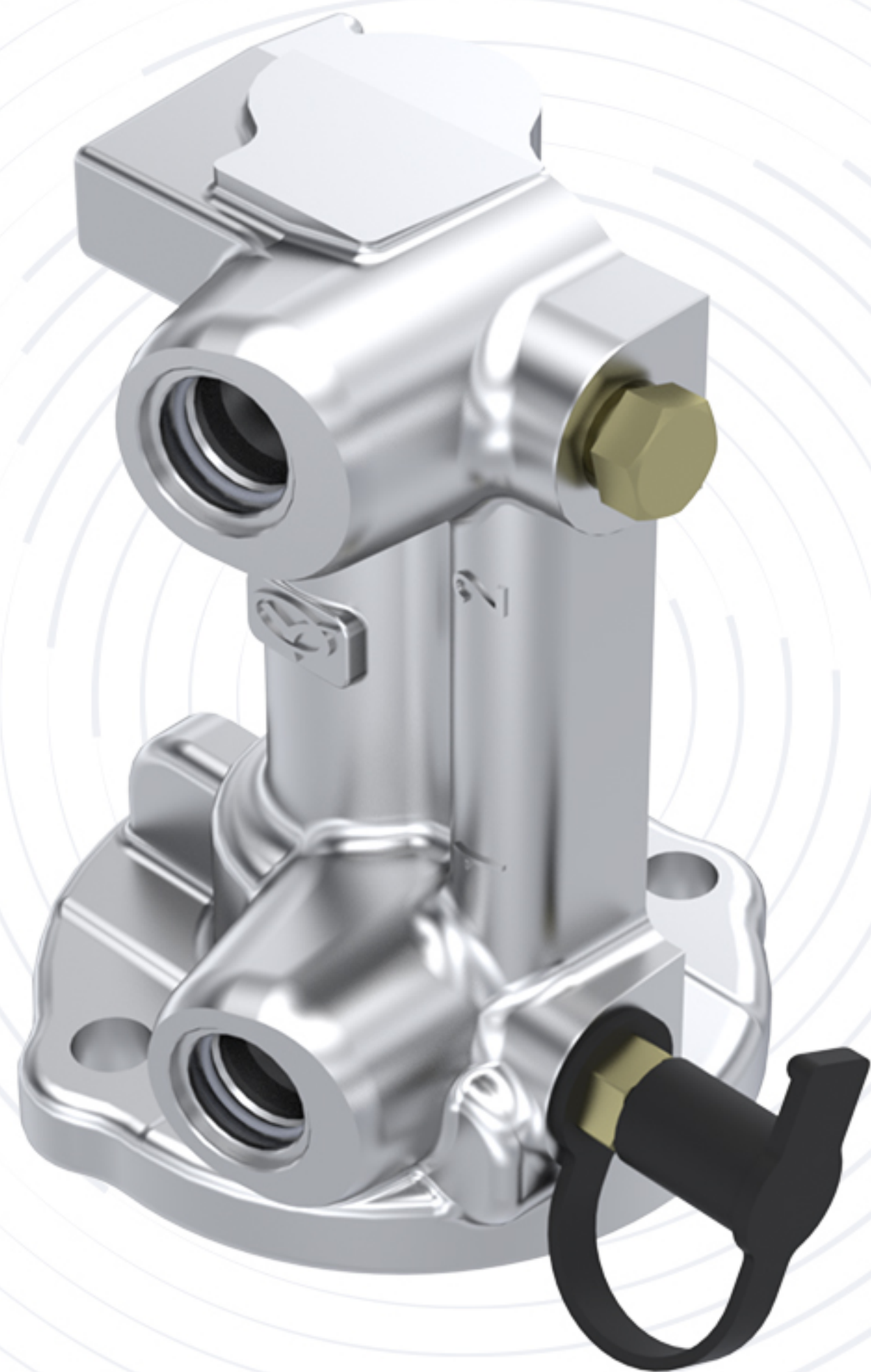
SEPARATOR PRODUCTION CAPACITY



60.000
piece

ANNUAL
PRODUCTION CAPACITY

PRODUCT RANGES AND CAPACITY



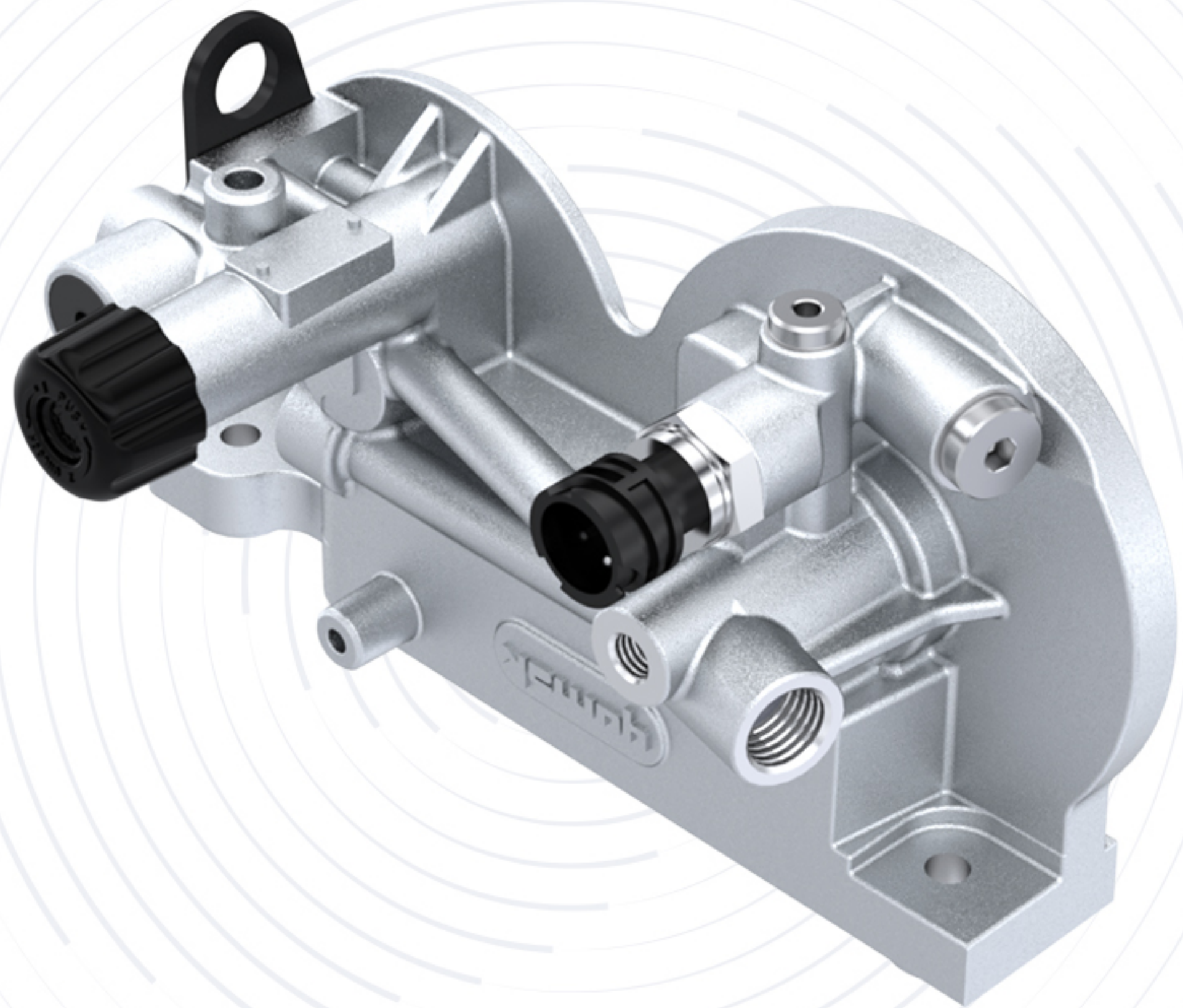
SHIFTING CYLINDER PRODUCTION CAPACITY



18.000
piece

ANNUAL
PRODUCTION CAPACITY

PRODUCT RANGES AND CAPACITY



FUEL FILTER HOUSING PRODUCTION CAPACITY



30.000
piece

ANNUAL
PRODUCTION CAPACITY

PRODUCT RANGES AND CAPACITY



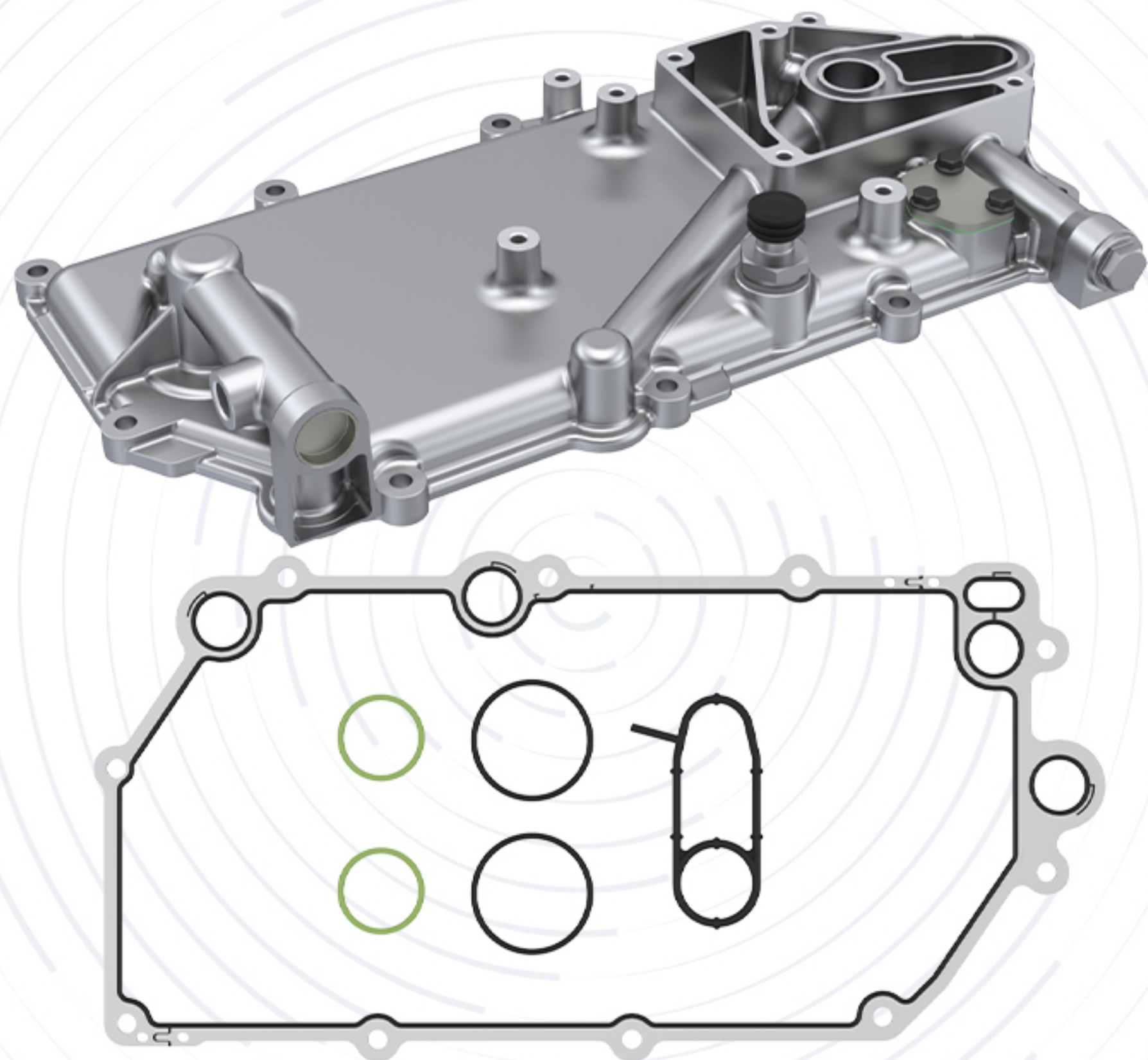
FUEL PUMP PRODUCTION CAPACITY



36.000
piece

ANNUAL
PRODUCTION CAPACITY

PRODUCT RANGES AND CAPACITY



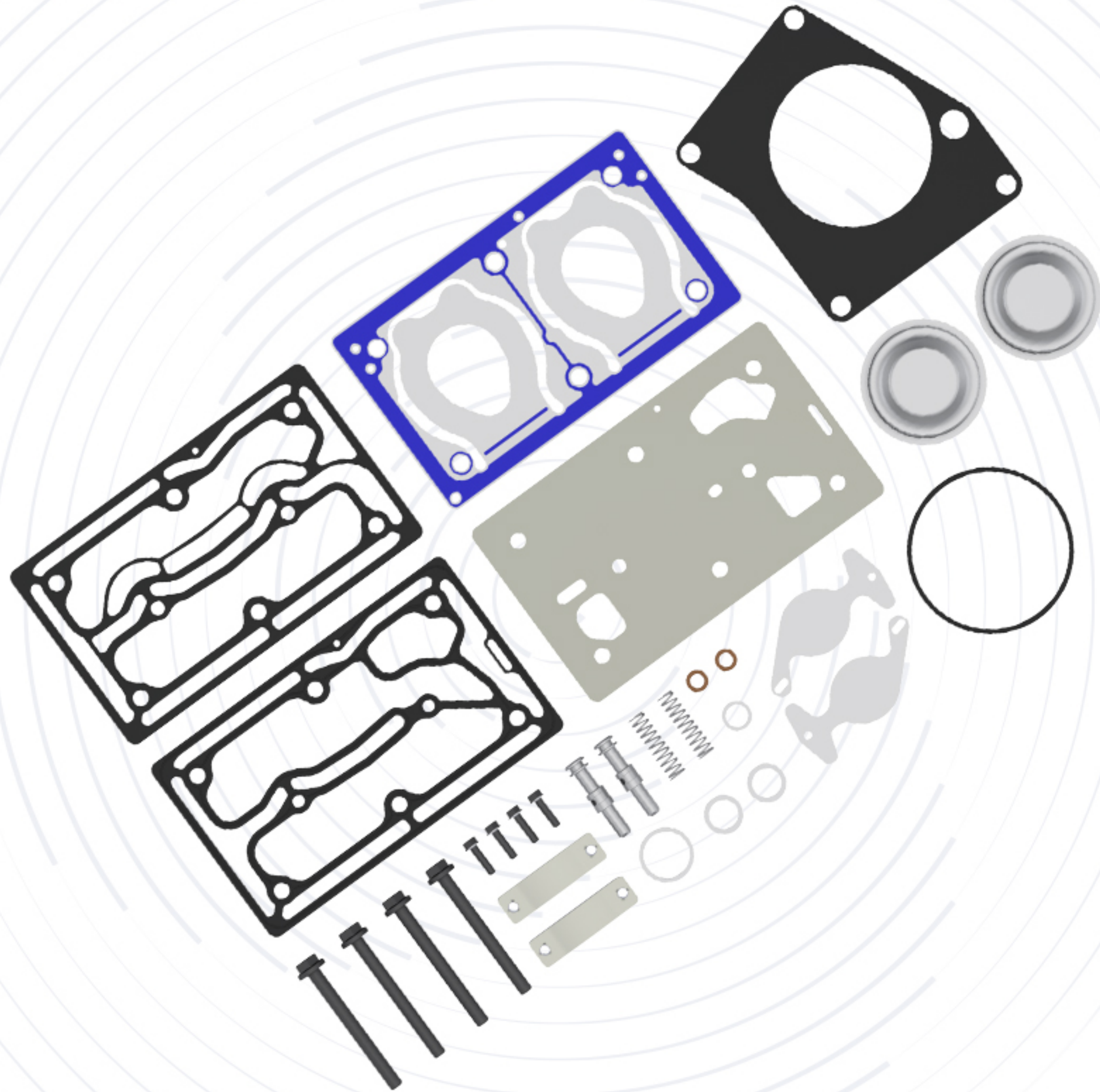
OIL RADIATOR CAP PRODUCTION CAPACITY



18.000
piece

ANNUAL
PRODUCTION CAPACITY

PRODUCT RANGES AND CAPACITY



REPAIR KIT

PRODUCTION CAPACITY



600.000 piece

ANNUAL
PRODUCTION CAPACITY

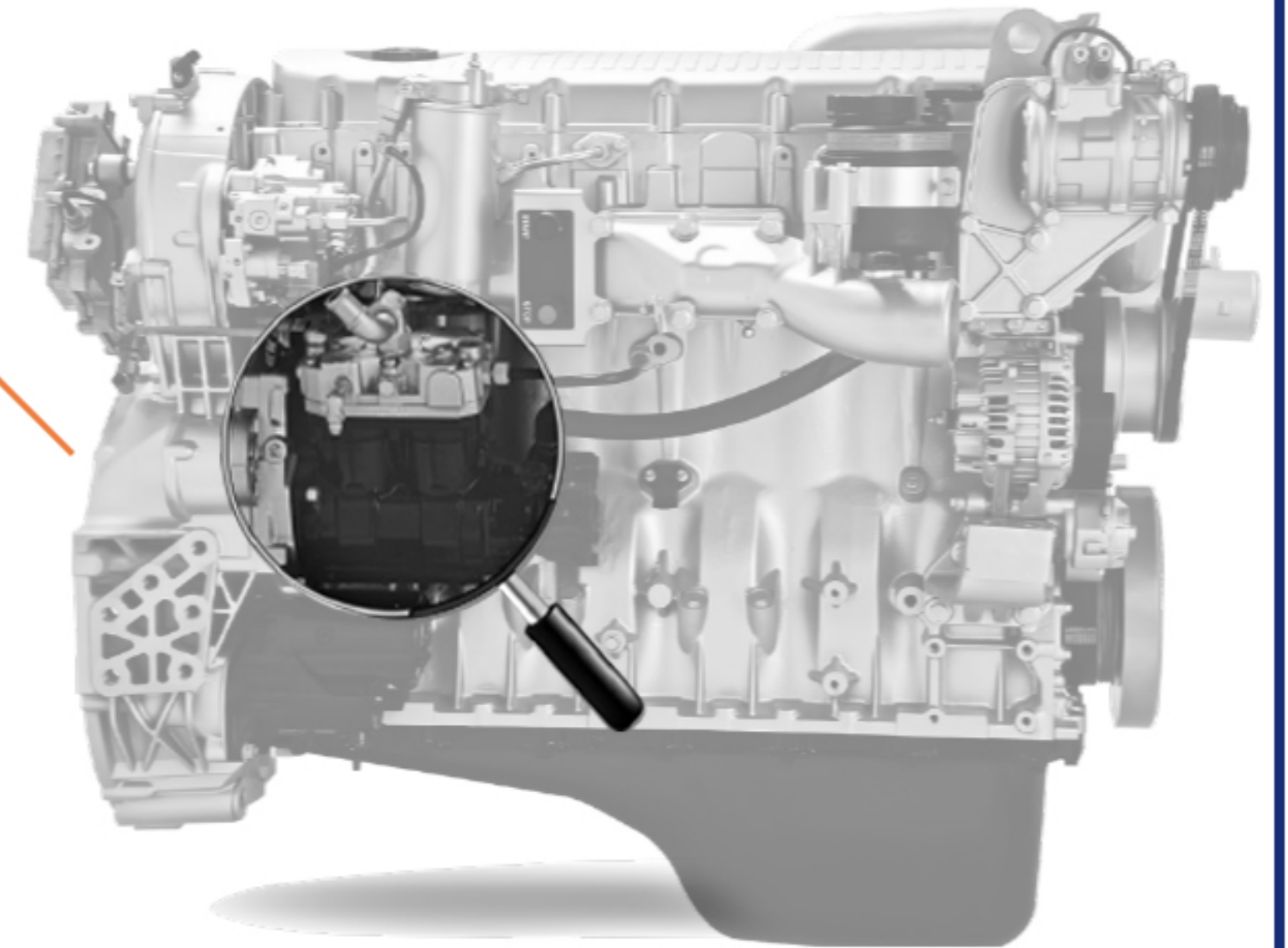
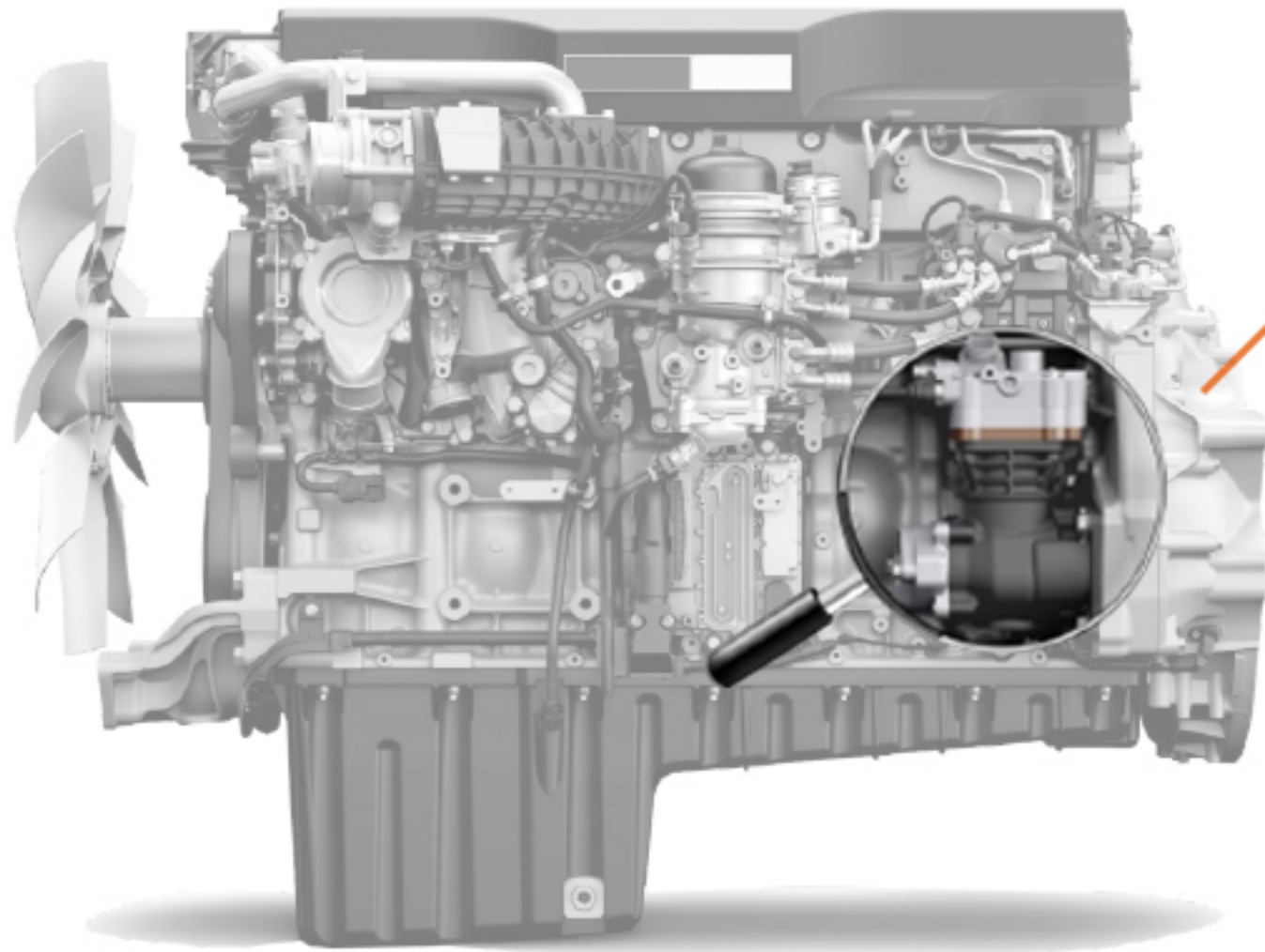
APPLICATION EXAMPLES



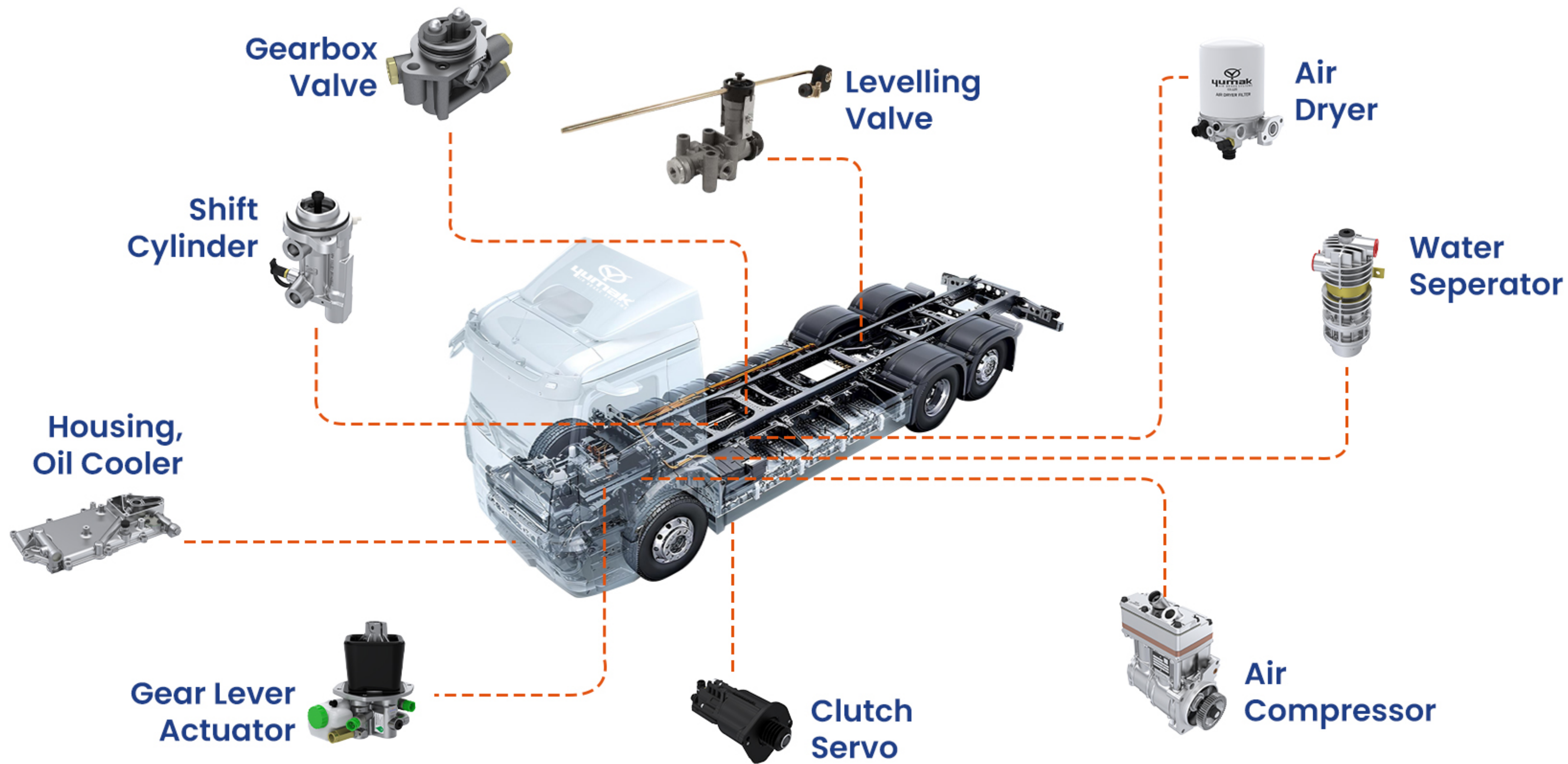
01.04.122
AIR BRAKE COMPRESSOR



01.04.096.01
AIR BRAKE COMPRESSOR



APPLICATION EXAMPLES



YUMAK in the World

Yumak Otomotiv exports
81% of its products to 95
countries in 6 continents



QUALITY MANAGEMENT SYSTEM



IATF 16949
Quality Management System



ISO 9001
Quality Management System



TSE ISO 27001
Quality Management System



VDA 6.3
Process Audit



TURQUALITY®



ERP System Solution Partner



Data Management Solution Partner



Digital Data Management Solution Partner



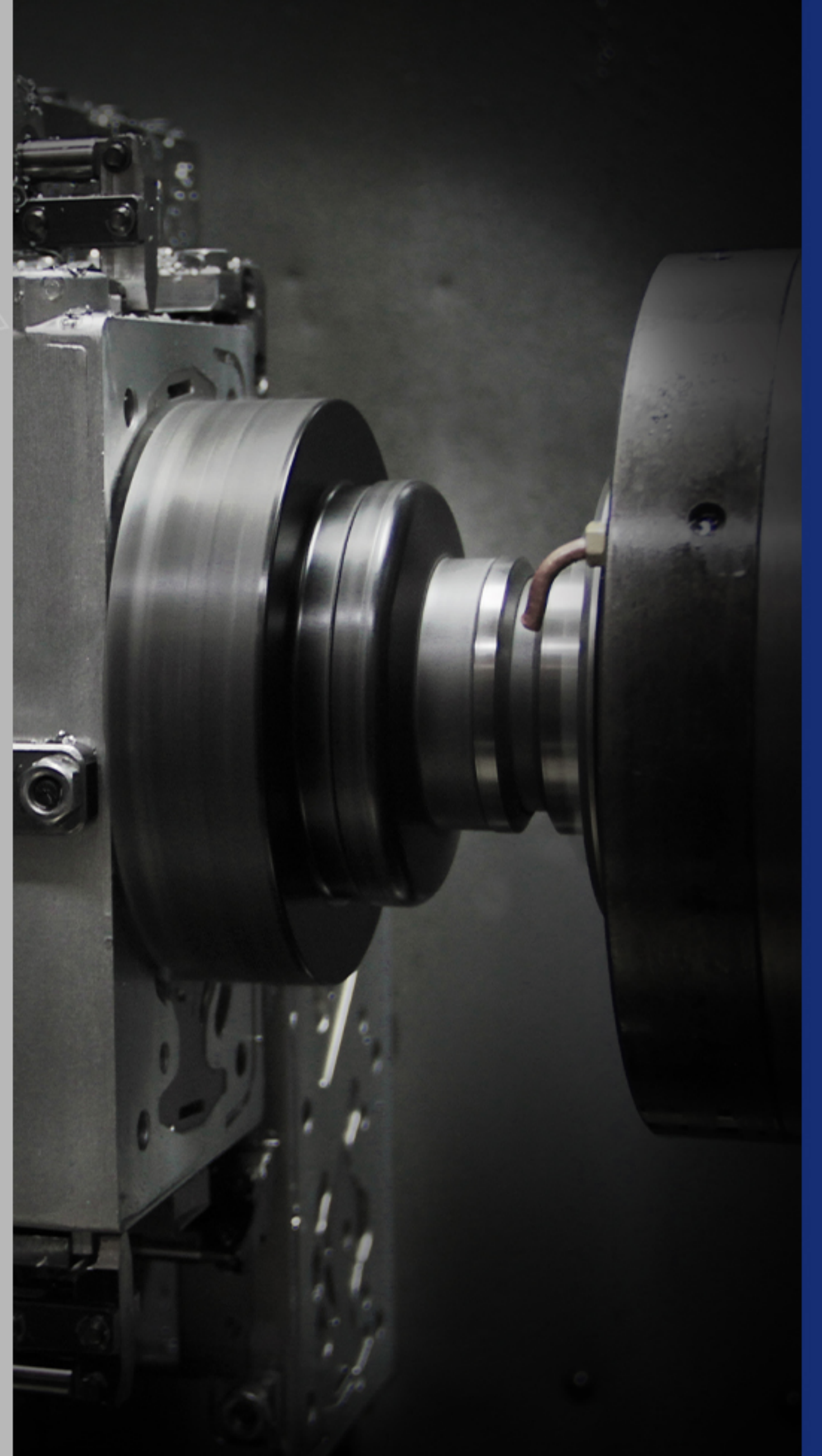
ERM System Solution Partner





Departments

We produce the quality of the world in our end-to-end production departments with the latest technological background where our professional engineers work diligently.



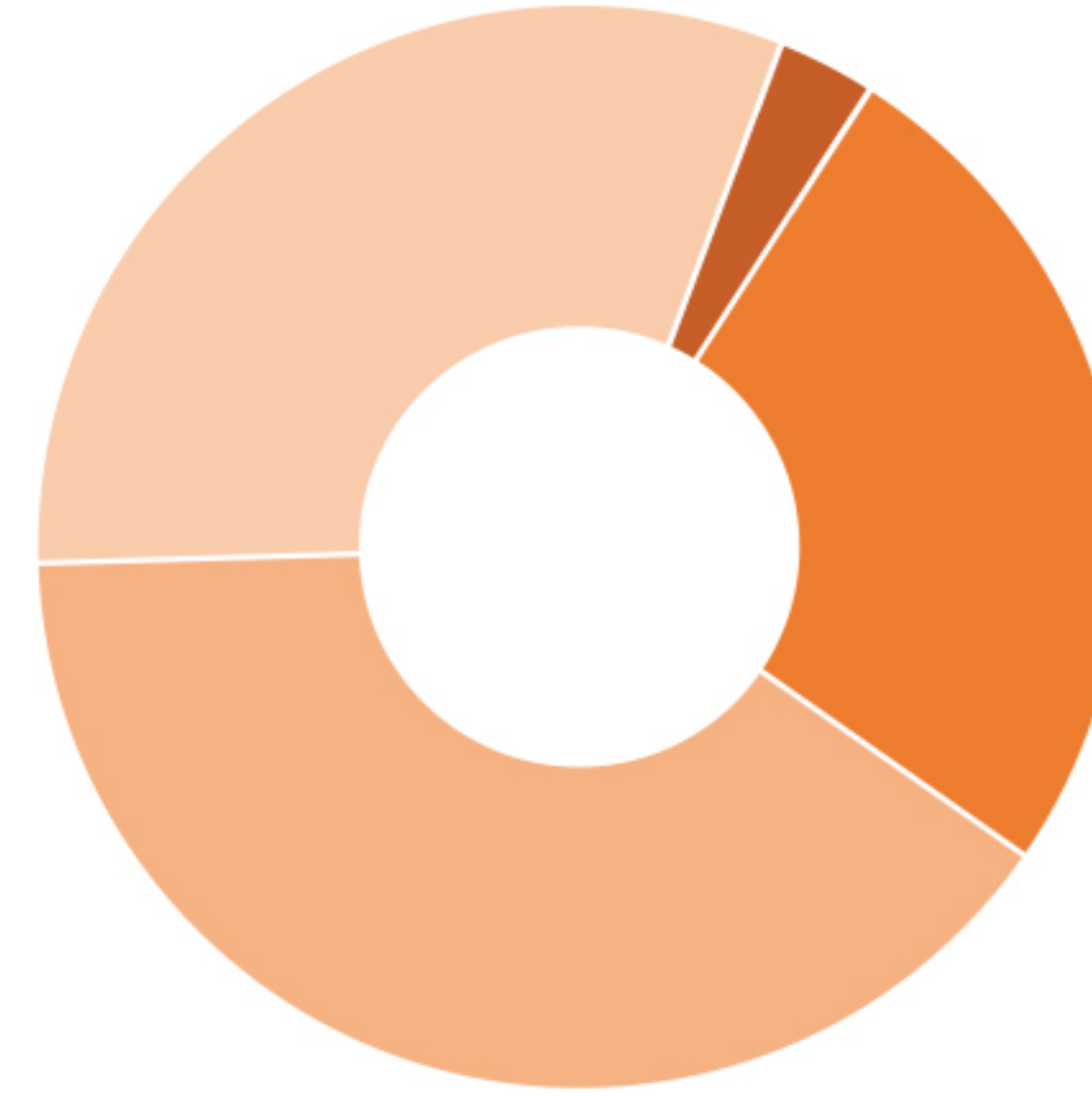
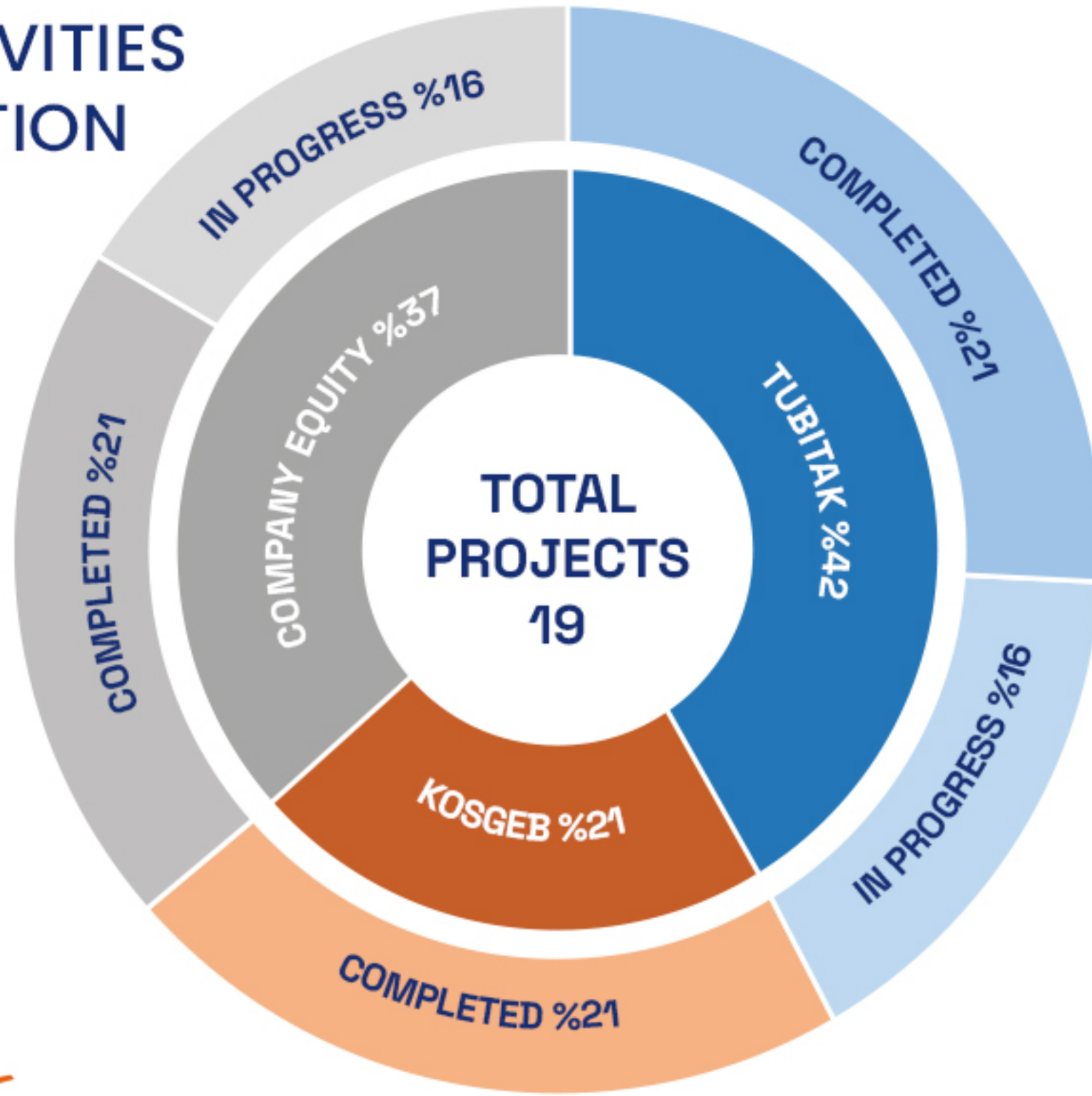
DEPARTMENTS

- CNC HORIZONTAL – VERTICAL PROCESSING LINE
- CNC LATHE – SLIDING AUTOMAT
- PRODUCTION GROUP MACHINE PARK
- HONING
- LASER CUTTING & GRINDING
- BRAZING WELD
- PRESS SHOP
- COMPRESSOR – CIRCUIT PROTECTION VALVE ASSEMBLY
- TEST – PACKAGING
- HIGH PRESSURE CASTING
- LOW PRESSURE CASTING
- FOUNDRY
- MOLDING SHOP
- QUALITY CONTROL

R&D

In addition to high-tech equipment and test devices, the company carries out activities of high R&D quality in line with the company's strategic goals with a team of specialized and experienced engineers and technicians.

R&D ACTIVITIES DISTRIBUTION



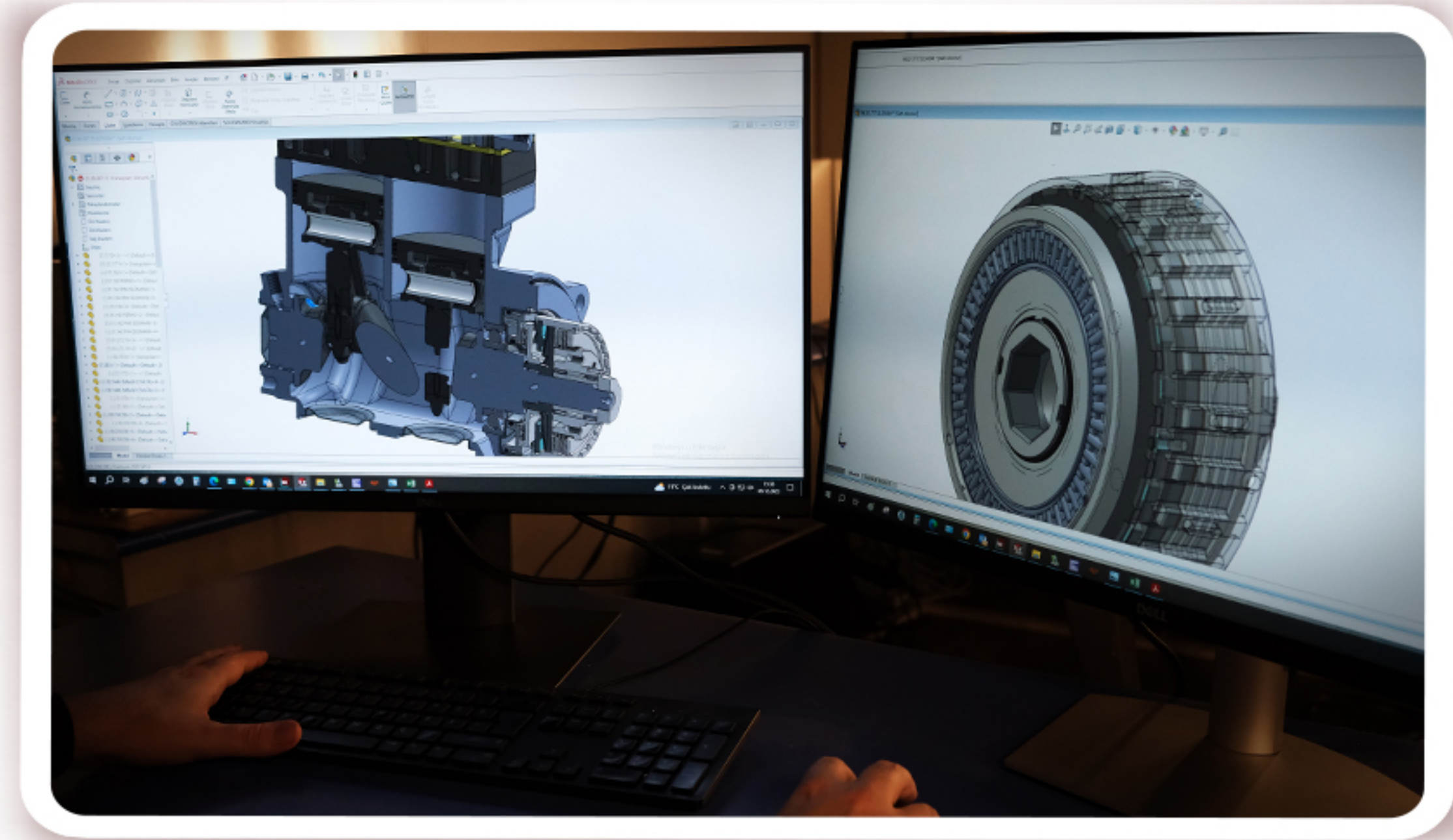
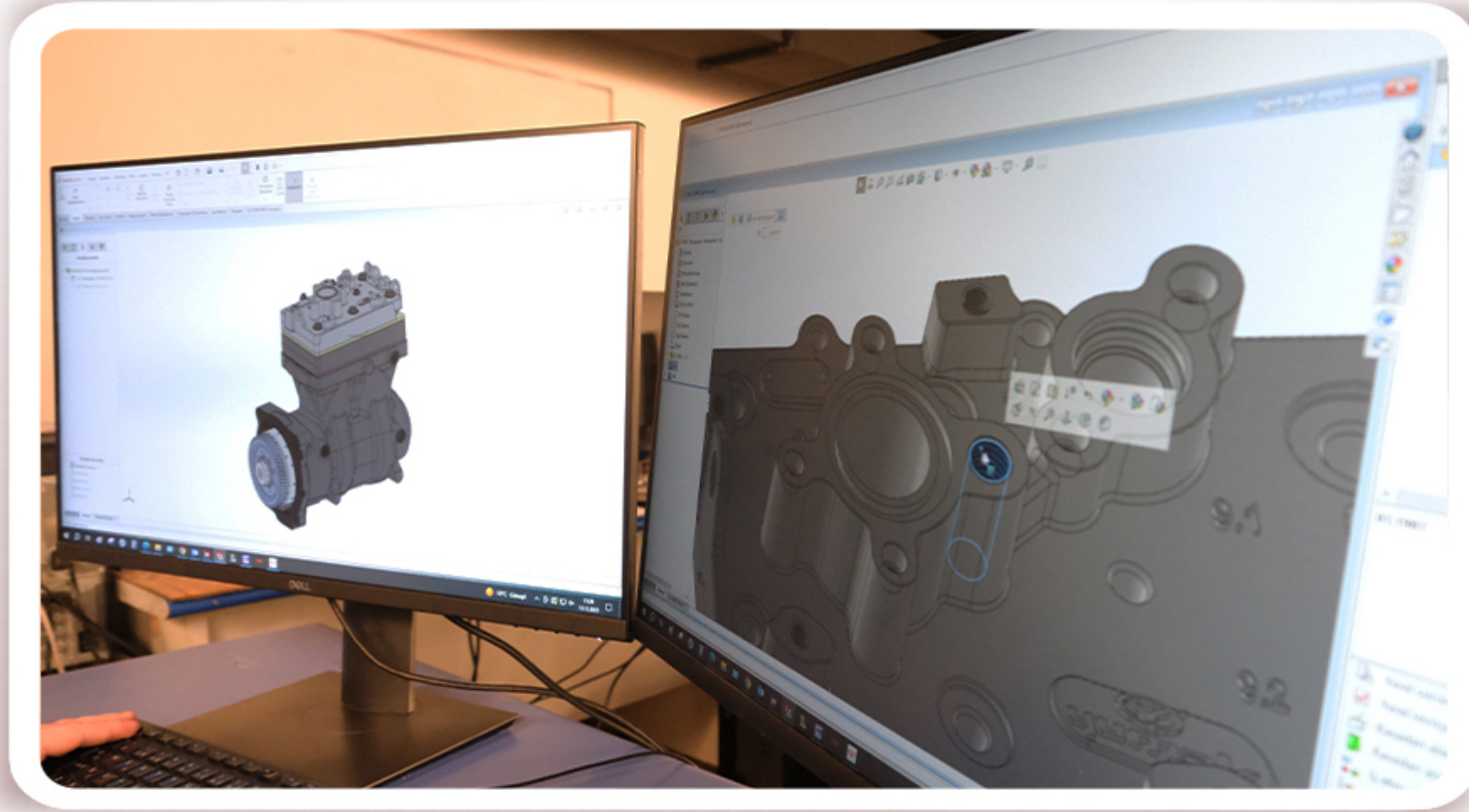
R&D ENGINEERING METHOD

- PhD %3
- Master's Degree %26
- Bachelor's Degree %40
- Associate's Degree %31

Our company continues its R&D activities in order to open up to new markets and expand its product range in the market under increasing competition conditions. Within the framework of University-Industry cooperation, the company develops state-funded projects, carries out projects within Yumak Otomotiv as well as **TUBITAK, KOSGEB** state-funded projects that have been completed and/or are on going.

ENGINEERING

Engineering Department aims to develop new products with OE references or OE requests that have high added value and appeal to heavy vehicles within the scope of customer demands and products for which market research is conducted by the sales team. The company also attaches importance to know-how accumulation for error-free and high quality production in existing products and carries out studies at the point necessary documentation and reporting.



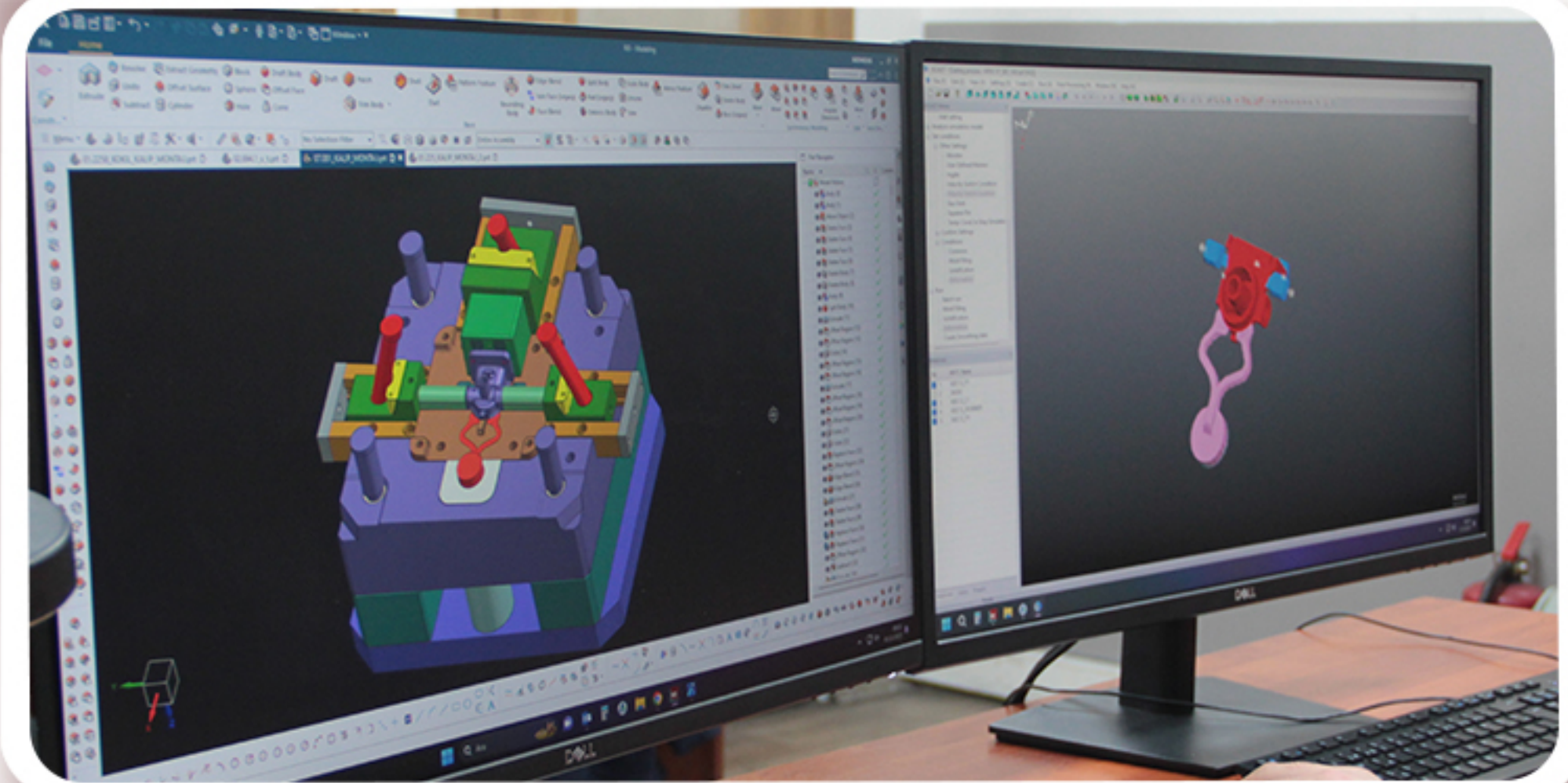
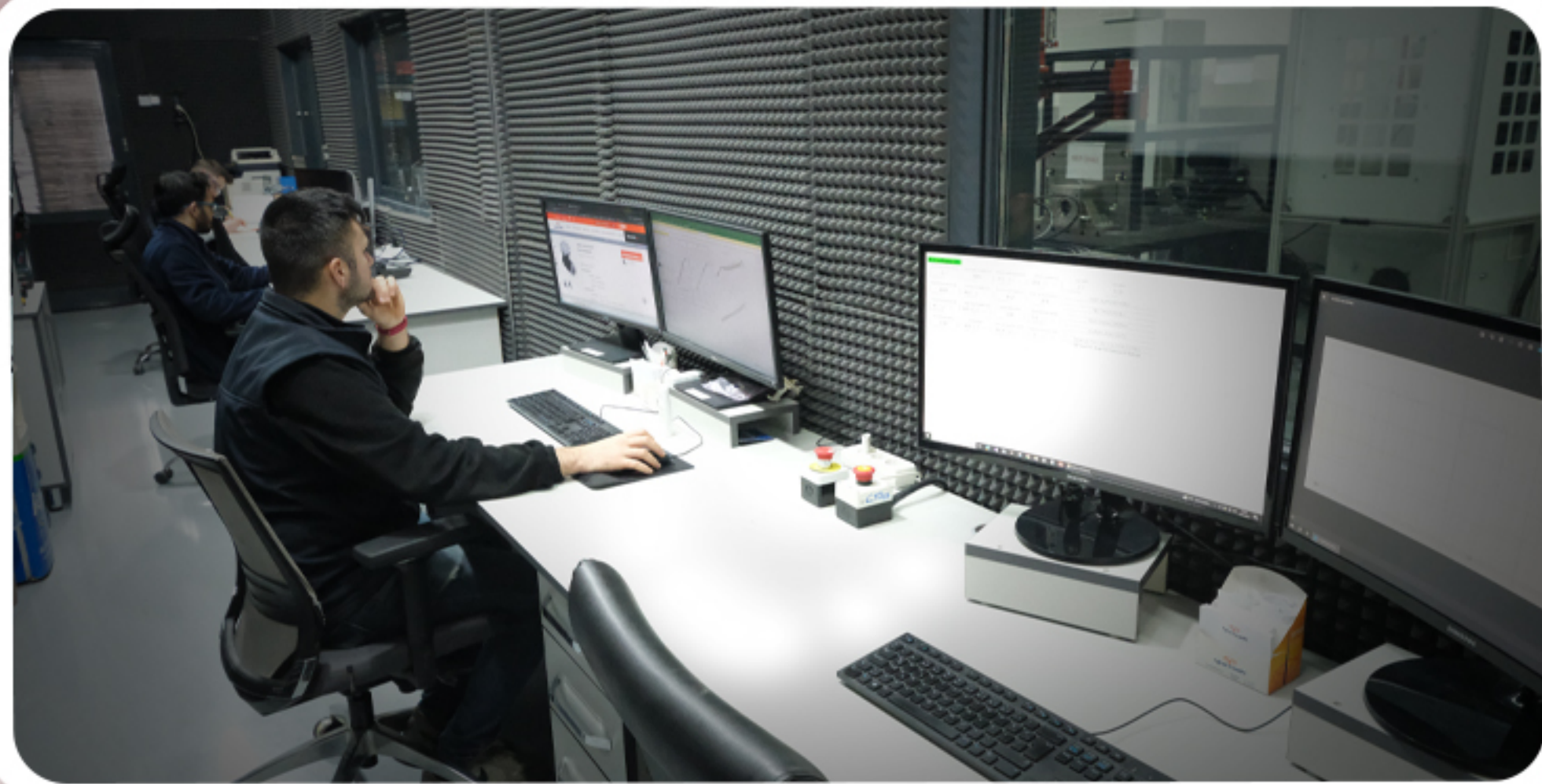
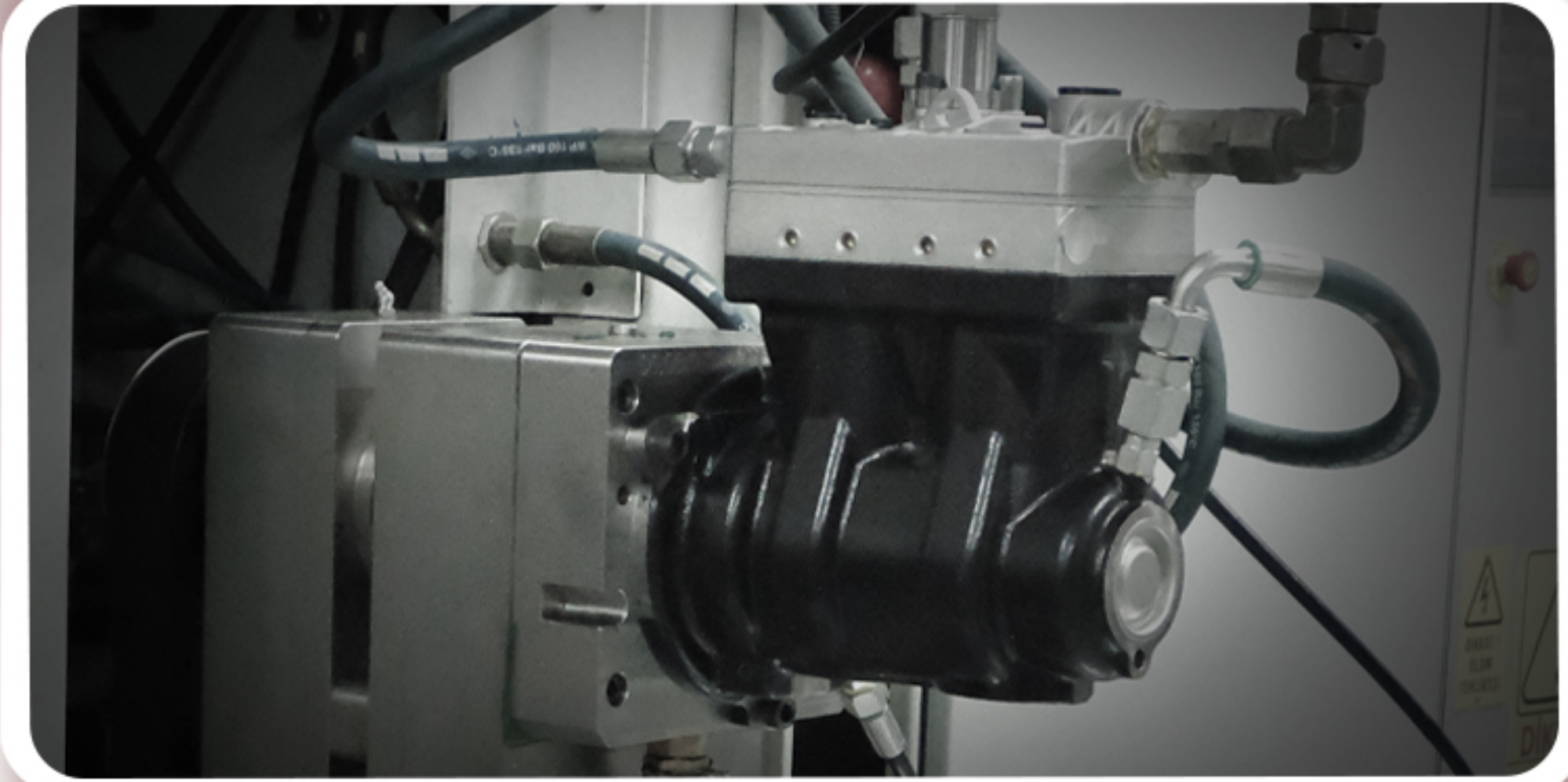
Our company has a team of more than 20 experienced engineers and technical personnel equipped with the knowledge and skills to carry out studies in order to maximize the production capability of YUMAK Otomotiv by using human resources in the best way with state-of-the-art hardware, equipment and machinery. New product commissioning and change management processes are carried out within the scope of IATF 16949 standard.

R&D AND ENGINEERING

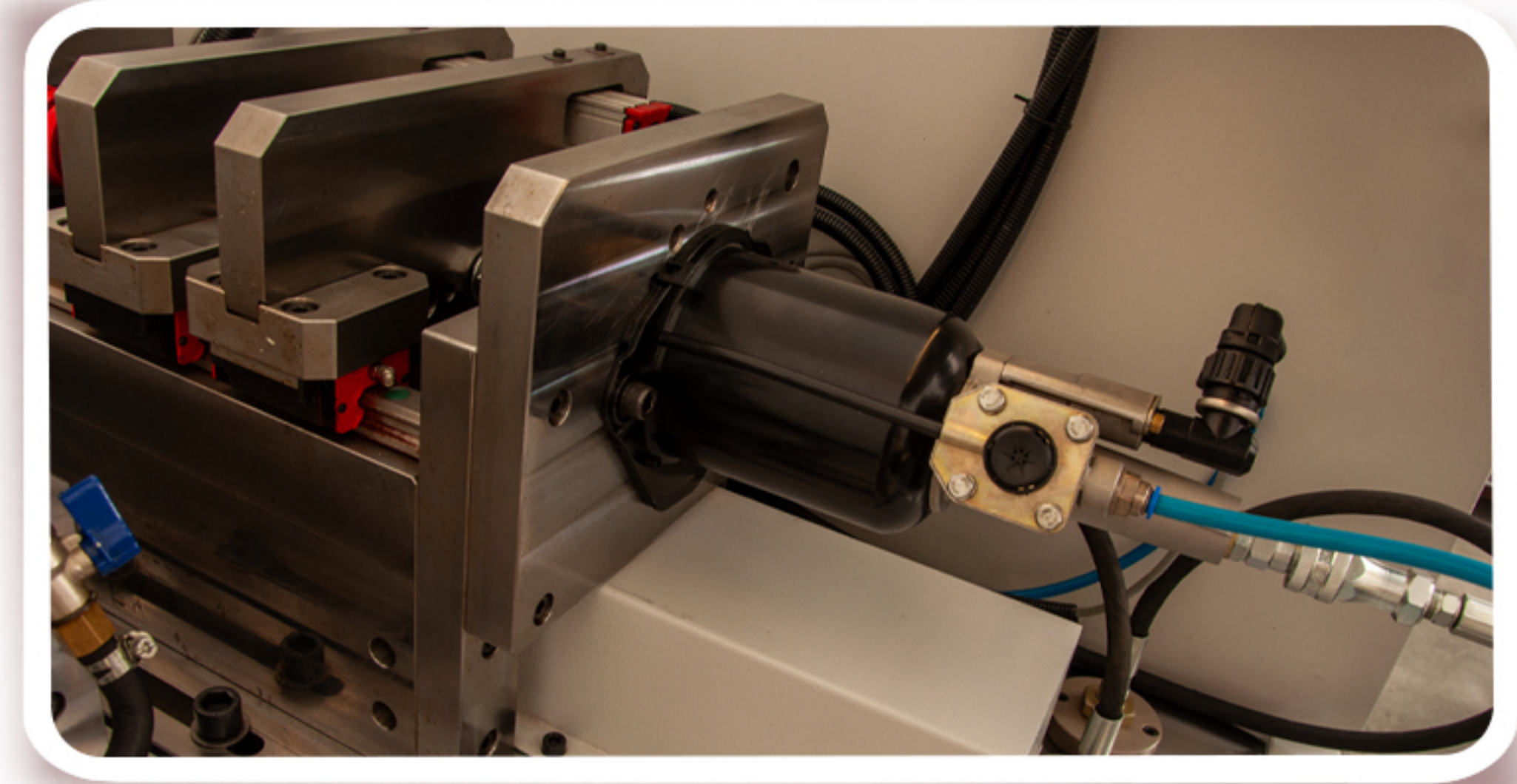
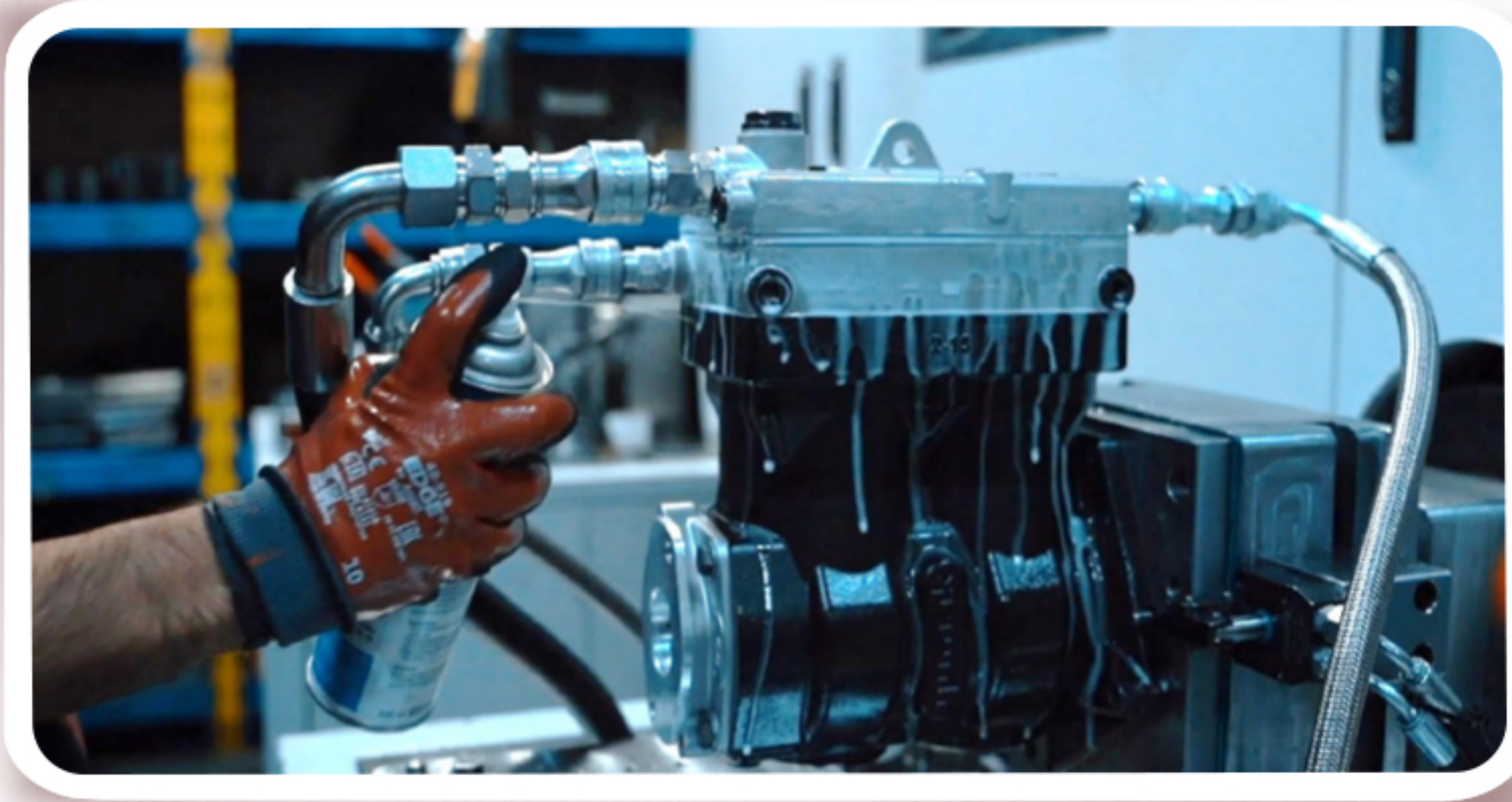
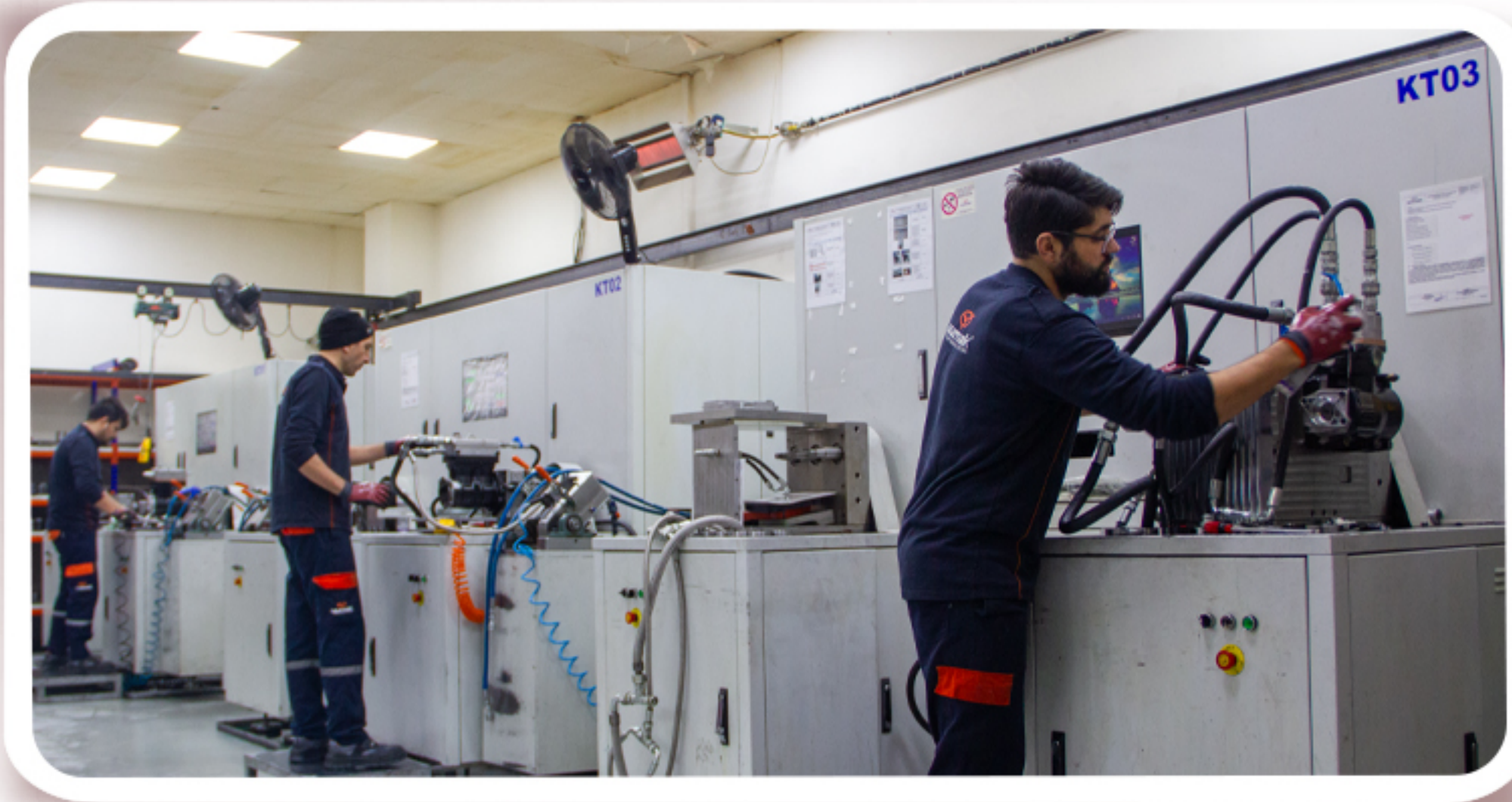
- 15 NX CAD Licenses / 5 NX CAM Licenses
- 21 SolidWorks CAD ve PDM Licenses
- 1 SolidWorks Simulation License
- 2 Solid CAM Licenses
- 2 Visi CAD CAM Licenses
- 1 Vulcan Casting Simulation License
- 7 completed and 4 ongoing state-funded projects
- Test device development
- More than 60 new products each year



R&D AND ENGINEERING



TEST SYSTEMS



INVESTMENTS

2024 Investments

- 4 Tsugami Sliding Vending Machines
 - 1 Dener Double Column Machining Center
 - 1 unit LK 280 Ton High Pressure Die Casting Machine
 - 1 unit LK 800 Ton High Pressure Die Casting Machine
 - 1 unit LK 2000 Ton High Pressure Die Casting Machine
 - 10 Robot Automation Cell Type Production Line
 - Pero Automatic Washing Line
 - Automation Assembly Line
 - 6 End of Line Compressor Test Machine
 - 10 Sealing Test Machine
 - Piston Casting and Production Line
- Total Targeted Investment Amount**
4.300.000 \$



INVESTMENTS

2025 Investment Plan

- Cast Iron Casting Line
- Crank Forging Press
- Nitration Furnace
- Liebherr CNC Gear Hobbing Mchine
- Liebherr CNC Gear Grinding Machine



Total Targeted Investment Amount

8.750.000 \$

As Yumak, we are moving forward with the goal of making the world a cleaner, greener and safer place. We develop eco-friendly innovative and safe products by using advanced technologies in our production processes.



By using the quality parts we produce, we both offer new products and support a greener life with our innovative approaches. In line with this mission, we are taking our name even further with the Yumak Reman Solutions program.

During the remanufacturing process, we replace critical and worn parts with the highest quality YUMAK components with a focus on safety. All parts undergo extensive functional testing to achieve the 100% quality target, ensuring that only the best products make it to market.



As a result, we offer cost-effective and high-quality REMAN products that perform to the same standards as new parts. Remanufactured parts are marked with environmental labels, making them easy to recognize for buyers

OUR TECHNICAL SERVICE POINTS



Horozluhan, Pehlivan köy Sk. NO: 61,
42110 Selçuklu/Konya



Ziya Gökalp, Dolapdere Sanayi Sitesi 10. ADA
No: 23, 34306 İkitelli Osb/Başakşehir/İstanbul



Kemalpaşa, 7412. Sk. No:98, 35060
Bornova/İzmir



4. Sanayi Sitesi 8. Sokak 6C Talaytepe Mah.
Kayapınar / Diyarbakır